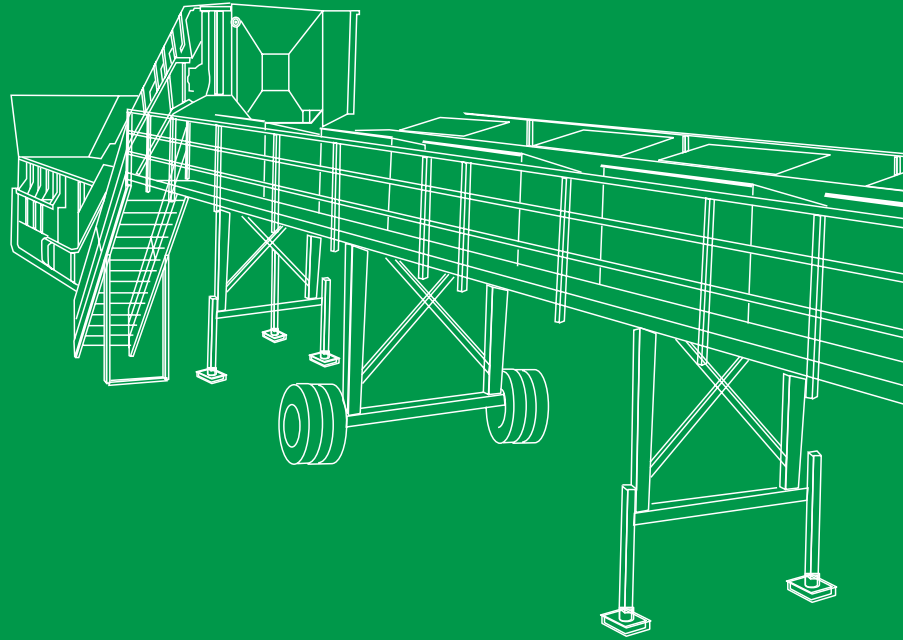


SORTING CONVEYORS FROM KRAUSE MANUFACTURING.

DESIGNED AND BUILT FOR MAXIMUM EFFICIENCY, DURABILITY AND LONGEVITY.

- ⌘ The most rugged and dependable conveyors on the market.
- ⌘ Top quality heavy-duty design and construction for maximum return on investment.
- ⌘ Extremely low maintenance, long-lasting durability.
- ⌘ Custom designed for your specific needs.
- ⌘ 100% manufactured and field tested in our own plant in the U.S.A.
- ⌘ Rapid, easy on-site installation.
- ⌘ Adjustable support towers and legs for swift setup on irregular surfaces.
- ⌘ Meet all OSHA and UBC regulations.
- ⌘ Excellent, rapid-response customer service.



Krause Manufacturing, Inc.

A Division of the CP Group of Companies

6059 Guide Meridian Road

Bellingham, Washington 98226, USA

(t) 360.398.7533 (f) 360.398.2914

(e) info@krausemanufacturing.com

(Or visit us online) krausemanufacturing.com

MANUFACTURED IN
A M E R I C A





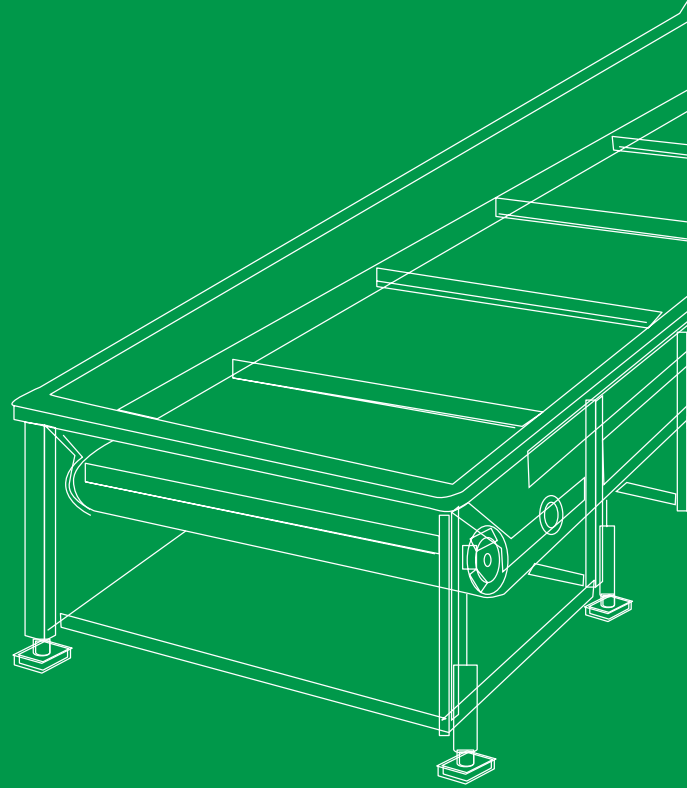
KRAUSE CONVEYORS

BUILT TO PERFORM. BUILT TO LAST.



THE MOST RUGGED, MOST RELIABLE CONVEYORS IN THE INDUSTRY.

Install a top-quality Krause conveyor system in your recycling facility, and start benefiting immediately. Tough, sturdy and reliable even under the harshest conditions, Krause conveyors are capable of moving all types of debris with utmost efficiency, providing you with decades of trouble-free service that is unmatched in the industry. Whatever your specialty—from single-stream, to municipal solid waste, to pulp mills and wood plants, to heavy-duty C&D separation—Krause Manufacturing can design and build the high-quality conveyor you need to get the job done. Your company will maximize its return on investment—increasing throughput, optimizing sorting efficiency, improving ergonomics and reducing maintenance costs—throughout the life of the equipment.



LOW MAINTENANCE LONGEVITY.

All Krause conveyors are designed, built and field-tested to meet the demanding requirements of recycling environments, regardless of the application. Featuring the strongest belts on the market, super-solid framing, and heavy-duty durability in every component, a Krause conveyor is engineered to perform reliably year after year under the toughest, roughest conditions—with minimum maintenance required.

BUILT TO SUIT, RIGHT HERE IN THE U.S.A.

Krause manufactures automated sorting systems in our own plants in the U.S.A., with a twenty-year reputation based on top quality and superior customer service. We design and build sorting conveyors to suit every recycling need and to provide the best customized solution for your operation. Thanks to innovative engineering and top-quality fabrication by AWS certified welders, you can be sure that you're getting exactly what you need: the most efficient equipment for the job, and the best system for your money.

FAST AND EASY ON-SITE SET-UP.

No more conveyor kits, expensive on-site parts assembly or extended plant disruptions. Krause Manufacturing's conveyor sections are bolt flanged for easy field assembly, and in most cases, can be installed in under four hours—two to three times faster than other conveyors on the market. And since we have built our reputation on customer service, you can count on prompt delivery and installation, as well as rapid response to any questions and concerns.





THE RIGHT CONVEYOR FOR EVERY JOB.

SLIDER AND TROUGHING CONVEYORS

- ❑ Variable belt speed adjusts to product flow and/or volume.
- ❑ Weight and speed capacities allow for maximized production.
- ❑ Hand-sorting slider conveyors are designed for maximum ergonomics.
- ❑ Lined conveyors feature UHMW and extra steel to hold up against high impact and heavy product flow.
- ❑ All safety areas—side safety screens, solid shielding, safety stop accessibility and hand railing—meet OSHA and UBC regulations.

CHAIN CONVEYORS

- ❑ Open-style heavy structure features support ribs and channel on 36" centers.
- ❑ Built with WEBSTER WH111—rated at 8850 working load with 65,000 lb. ultimate load strength, and as high as WH-150XHD rated at 18,200 working ultimate load strength.
- ❑ Chain assembly combines chain with rollers and rubber belting for flexibility and minimum wear.
- ❑ In-feed baler conveyors are custom built to any baler specification in the market.
- ❑ Open return rollers reduce wear and drag, and are self-cleaning.

STEEL PAN CONVEYORS

- ❑ Extremely effective for C&D and MSW recovery.
- ❑ Double-beaded design, featuring 3/8" plate pans and heavy impact rails, for maximum performance in rough environments.
- ❑ Hinge-pan conveyors are built for easy maintenance and durability.
- ❑ Extra bolts provide added strength in areas of heavy use.
- ❑ 5" wheels and 1" roller pins extend the life of the rollers.
- ❑ Auto oilers and grease zirk in center of pins for lower maintenance.

HEAVY MILL/INDUSTRIAL CONVEYORS

- ❑ Engineered and built to perform 24/7 in heavy-duty, rough environments.
- ❑ Extra-heavy structure features added strength in the chain, added power and strength in the drive units.
- ❑ Double-beaded combination chain belt with big-burden depth handles large tonnage and special large in-feed applications.
- ❑ Custom designed in areas that meet the needs of the mills, from house keeping to maintenance.