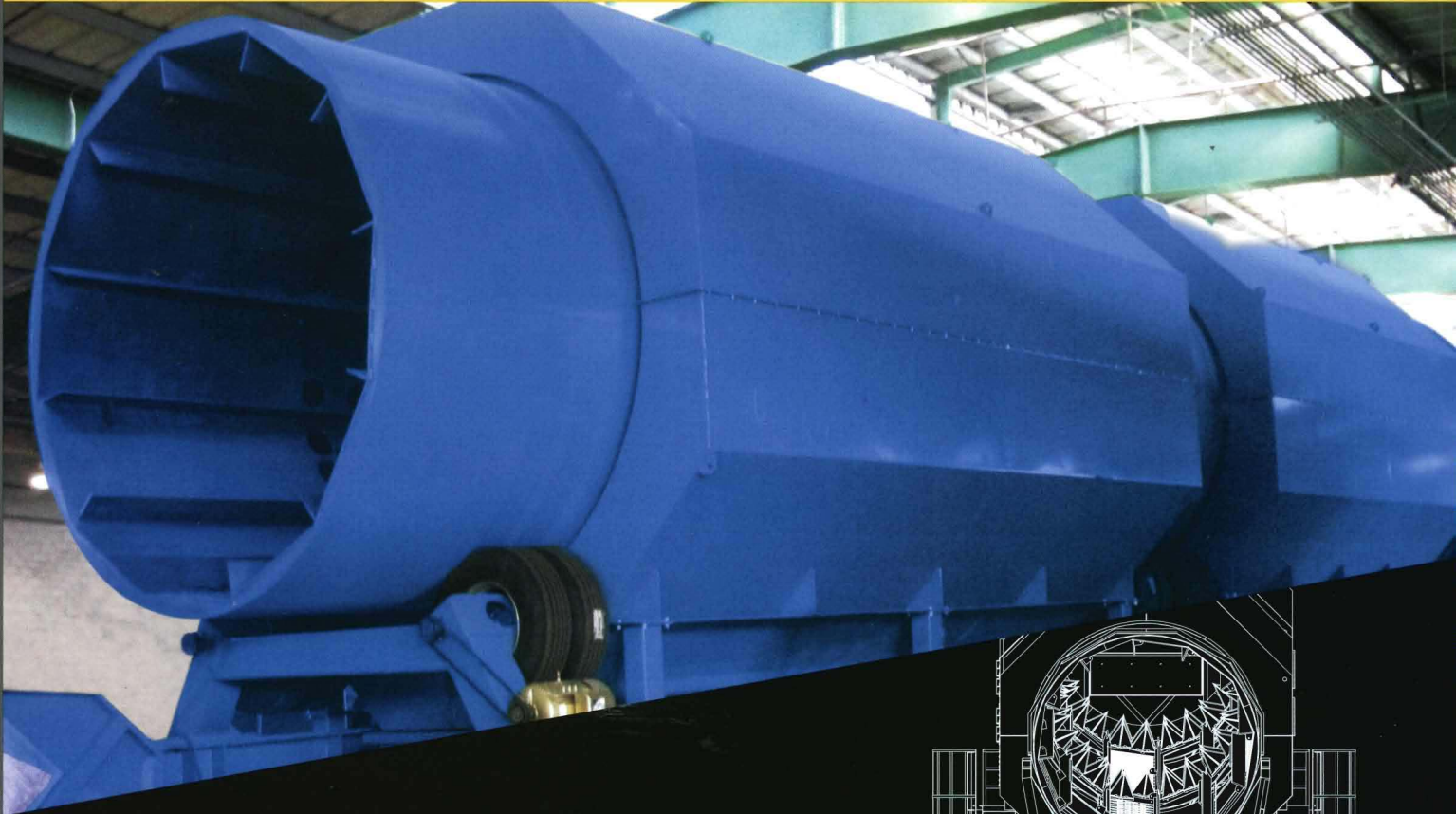


KMI TROMMEL SCREENS

INCREASE CAPACITY AND EFFICIENCY SYSTEMWIDE

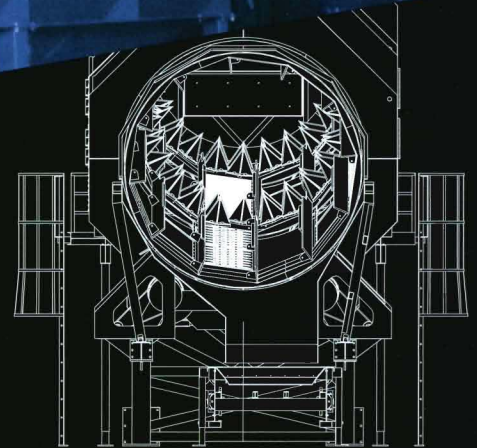


**MAXIMIZE AUTOMATION EFFICIENCY.
INCREASE THROUGHPUT.
BOOST YOUR BOTTOM LINE.**

Now there is an innovative technology that provides a new level of separation efficiency for MSW, C&D and Green Waste recycling. Developed by Krause Manufacturing Inc., KMI Trommel Screens deliver the high-throughput and high-quality end-products needed to provide municipalities and waste management companies with the ROI they have been looking for.

NEW LEVELS OF EFFICIENCY FOR YOUR OPERATION.

Positioned near the front of your equipment line, a KMI Trommel Screen replaces multiple pieces of equipment while increasing system capacity, separation efficiency and the quality and quantity of marketable end-products by automatically liberating different sizes of materials from the waste stream—and making an immediate impact on your bottom line. All KMI Trommel Screens are engineered with simple, energy-efficient design that utilizes gravity and centrifugal force to reduce maintenance to almost nothing. Long-wearing, low-cost parts are easy to replace when needed.



AN EASY FIT.

Whether you are retrofitting your existing system or designing a new one, add a KMI Trommel Screen and be sure of seamless integration and optimum value and performance.

KRAUSE MANUFACTURING INC.— THE QUALITY AND VALUE LEADER.

Krause is the only manufacturer of heavy-duty automated sorting systems with a twenty-year reputation built on top quality, unequaled durability, low maintenance and superior customer service. With Krause Manufacturing, you can be sure that durability is engineered into every component, and that you're getting the best technology and equipment for your money. Work with the industry leader. Contact KMI today.



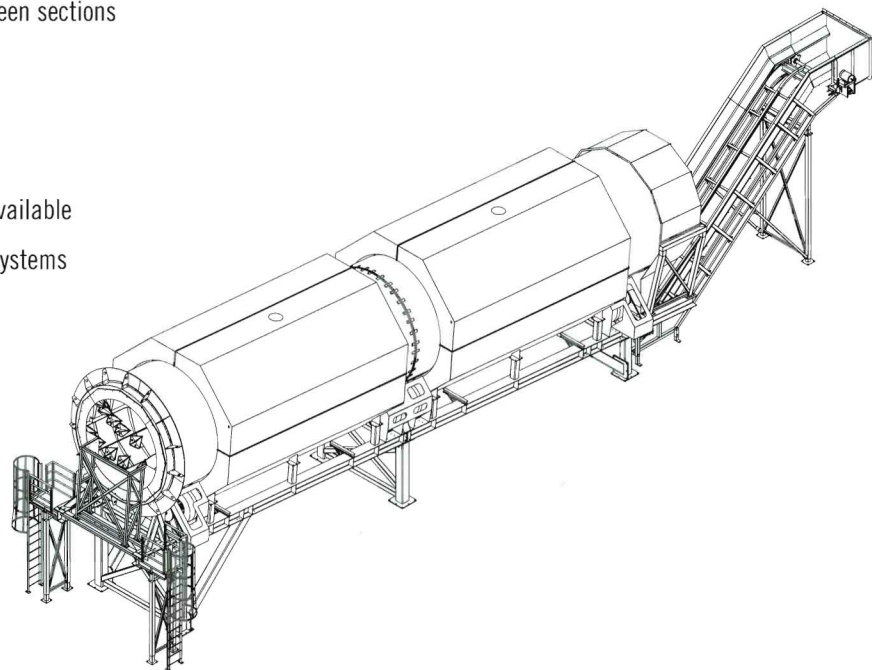
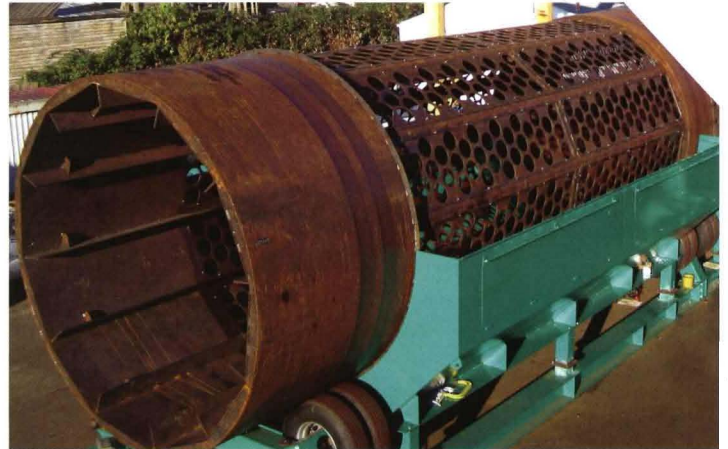
KMI TROMMEL SCREENS

INCREASE YOUR SYSTEM'S CAPACITY—AUTOMATICALLY

KMI's Trommel Screens range in length from 10 to 70 feet with diameter widths of 4, 6, 8, 10 or 12 feet to ensure that you will get exactly the right equipment to maximize throughput for your facility. Processing up to 100 tons per hour of MSW, C&D, Green Waste and other type of material, our trommels are revolving screen cylinders that efficiently utilize gravity, centrifugal force, adjustable screening plates and tilt positions to separate materials at the front of your equipment line to maximize system capacity and performance.

FEATURES AND BENEFITS

- :: Processes up to 100 tons per hour of material depending on mix
- :: Increases system throughput capacity
- :: Cost-effectively optimizes separation efficiency
- :: Increases marketability and quantity of end-products
- :: Maximizes screen efficiency
- :: Allows for more efficient manual sorting
- :: Prevents surges
- :: Low operating costs
- :: Extremely low maintenance and long parts life
- :: Easily removable/replaceable screen sections
- :: Zero spillage at transitions
- :: Rugged, heavy-duty construction
- :: Easy shipping and installation
- :: Multiple throughput capacities available
- :: Option for brush or air cleaning systems



Krause Manufacturing, Inc. ■ A Division of the CP Group of Companies ■ 6059 Guide Meridian Road, Bellingham, WA 98226 USA
(t) +1.360.398.7533 ■ (f) +1.360.398.2914 ■ (e) info@krausemanufacturing.com ■ (w) www.krausemanufacturing.com

